

FV Series

Free Vents



Elmac Technologies FV Series free vents with weatherhood and mesh screen are designed to be installed on the exit vent from a storage tank or vessel, to provide protection against excessive pressure and vacuum.

Free vents are supplied as complete units ready for direct installation.



Principle of operation

Pressure levels inside storage tanks change due to filling and emptying processes or fluctuations in temperatures. Without a relief vent the tank would either explode or implode under excessive pressure or vacuum conditions. Atmospheric free vents provide the required relief and avoid damage to the tank and surroundings.

Atmospheric vents will not stop any external flames propagating into the tank. An appropriate flame arrester must be used for this purpose.

Free vent cannot be used to prevent flame transmission but may be used in the vent line together with the deflagration or detonation flame arrester.

Elmac Expertise

Elmac have been manufacturing protection equipment since 1948 and bring enhanced levels of flame and explosion protection to a diverse range of applications.

Elmac offers considerable technical leadership and, using test facilities along with Computational Fluid Dynamics capabilities, employs research teams renowned for developing solutions for the most challenging of industrial applications.



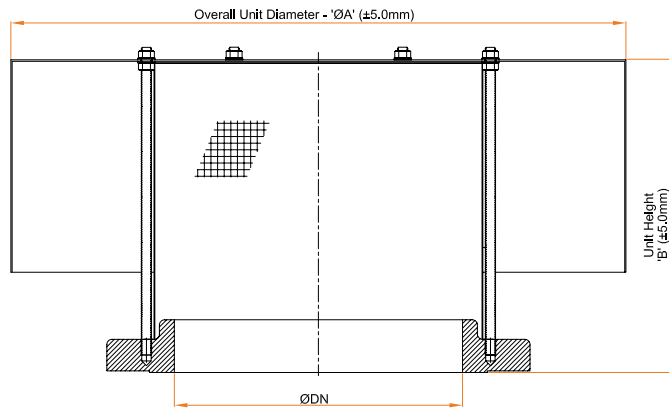
Materials and Options

| Description | Materials / Options |
|---------------------|---------------------------------------------------|
| Sizes DN(mm) | 50, 80, 100, 125, 150, 200, 250, 300 |
| Process Connections | 1. ANSI 150# (standard) 2. PN10 / PN16 3. Special |
| Materials | 1. Carbon Steel 2. Stainless Steel 3. Special |

Features and benefits

- Lightweight for ease of installation
- Quick and easy to install and inspect
- No moving parts and minimal maintenance required
- Sizes and materials to suit a wide range of applications
- Options available for sour environments
- Weatherhood and bird screen supplied as standard
- Customised designs to meet individual specifications
- Cost effective

Free Vents Storage Tank Equipment



General Arrangements:

| DN | ØA | B | Wt* |
|-----|-----|-----|-----|
| mm | mm | mm | kg |
| 50 | 245 | 90 | 3 |
| 65 | 245 | 92 | 5 |
| 80 | 245 | 94 | 5 |
| 100 | 300 | 110 | 6 |
| 125 | 360 | 130 | 8 |
| 150 | 420 | 145 | 11 |
| 200 | 500 | 170 | 17 |
| 250 | 500 | 210 | 24 |
| 300 | 660 | 245 | 38 |

* Approximate weight

Customer Support

Tel: +44 (0) 1352 717 555

Email: sales@elmactech.com

Fax: +44 (0) 1352 717 642

Coast Road, Greenfield, Flintshire, CH8 9DP United Kingdom

All specifications are correct at time of print, are for guidance purposes only and subject to change without prior notice.



Protecting People, Property and our Planet