

SV Series

Light Duty End-of-line Flame Arresters



Protecting People, Property and our Planet

With Fixed Elements

The Elmac Technologies® SV Series of Light Duty End-of-line Flame Arresters are designed for installation at the end of a pipeline or on an atmospheric vent from vessels where flammable gases or vapours may be present. SV Flame Arresters provide an economical solution for situations where a simple lightweight product is required. Typical applications include gas purging of equipment, sample lines and instrumentation lines.



Principle of Operation

The Elmac SV Series Flame Arresters use elements with small apertures which allow gases or vapours to pass. During a deflagration, the combustion products are cooled at the element surface by heat dissipation, which prevents continuation of the combustion process through the flame arrester and into the protected vent line.

Explosion Gas Groups

The Elmac SV Series Flame Arresters are ATEX certified for gases in Explosion Groups IIA1, IIA, IIB1, IIB2 and IIB3.

Standards Compliance

Elmac Technologies® Flame Arresters have been type-tested to EN ISO 16852 and certified according to ATEX Directive 2014/34/EU.

Actual device performance is verified in the Elmac Technologies® state-of-the-art in-house test facility.



Elmac Expertise

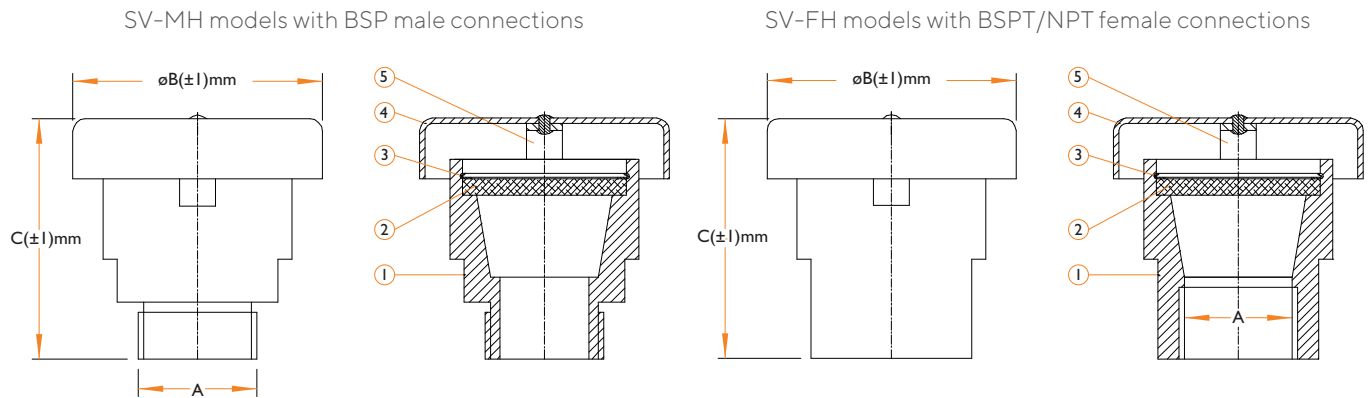
Elmac have been manufacturing protection equipment since 1948 and bring enhanced levels of flame and explosion protection to a diverse range of applications.

Elmac offers considerable technical leadership and, using test facilities along with Computational Fluid Dynamics capabilities, employs research teams renowned for developing solutions for the most challenging of industrial applications.

Features and Benefits

- Available in sizes from DN15 to DN50
- Suitable for gases in explosion groups up to IIB3
- Lightweight flame arresters in stainless steel
- BSP/NPT screwed connections in accordance with ISO7-1
- Optional weatherhood for environmental protection
- The Elmac team can advise on specific location queries

General Arrangements:



Materials Specifications

Ref	Description	Materials
1	Body	Mazak 3/LM6 Aluminium
2	Element Core	Stainless Steel
3	Element Core Retaining Ring	Aluminium
4	Weatherhood	Aluminium
5	Hood Support Clip	Spring Steel

Model Specifications

DN (mm)	Dimensions				Weight (kg)	Ø Element (mm)
	A (male)	A (female)	ØB (mm)	C (mm)		
15	½" BSP	½" BSPT/NPT	41	58	0.15	25
20	¾" BSP	¾" BSPT/NPT	70	67	0.3	44
25	1" BSP	1" BSPT/NPT	70	67	0.3	44
50	2" BSP	2" BSPT/NPT	112	77	0.5	79

*with BSPT/NPT female connections, dimensions are approximate

SV Flow Curves

Further information is available on request from the Elmac Customer Support team.

Customer Support

Tel: +44 (0) 1352 717 555

Email: sales@elmactech.com

Fax: +44 (0) 1352 717 642

Coast Road, Greenfield, Flintshire, CH8 9DP United Kingdom

All specifications are correct at time of print, are for guidance purposes only and subject to change without prior notice.



Protecting People, Property and our Planet