

# SV Series

## Light Duty End-of-line Flame Arresters



Protecting People, Property and our Planet

### With Fixed Elements

The Elmac Technologies® SV Series of Light Duty End-of-line Flame Arresters are designed for installation at an end of a pipeline, or on an atmospheric vent from vessels where flammable gases or vapours may be present. SV Series Flame Arresters provide a cost-effective solution for situations where a simple lightweight product is required. Typical applications include gas purging of equipment, sample lines and instrumentation lines.



### Principle of Operation

The Elmac SV Series Flame Arresters use elements with small apertures that allow gases or vapours to pass. During an atmospheric deflagration, the combustion products are cooled at the element surface by heat dissipation and this eliminates a potentially catastrophic situation by preventing the combustion process from travelling into the protected vent line.

### Elmac Expertise

Elmac have been manufacturing flame arresters and other protection equipment, for a diverse range of process applications, since 1948.

Elmac are recognised globally for their innovative, patent protected product range. Using Computational Fluid Dynamics and comprehensive in-house test facilities, the technical team work closely with customers to design and develop innovative solutions for some of the world's most challenging industrial processes.

### Explosion Groups

The Elmac SV Series Flame Arresters are ATEX certified for gases in Explosion Groups IIA1, IIA, IIB1, IIB2 and IIB3 with an operating temperature up to +60°C.

### Standards Compliance

All Elmac Technologies® Flame Arresters have been type-tested to EN ISO 16852 and certified according to ATEX Directive 2014/34/EU.

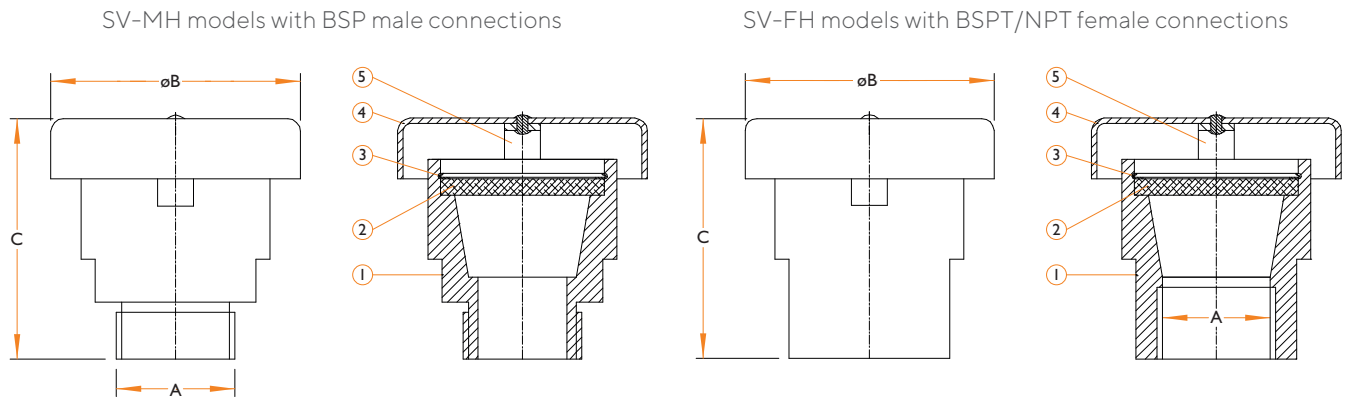
The actual performance characteristics of these unique devices are verified in Elmac's state-of-the-art, in-house test facility.



### Features and Benefits

- Versatile: Suitable for use in all explosion groups up to IIB3
- Lightweight, easy fitting
- Compact: Available in sizes from DN15 to DN50 - overall height of 77mm
- Cost effective design
- Threaded fitting
- Weatherproof: Weatherhood for enhanced protection
- Expertise: Elmac team available for any process specific advice

## General Arrangements:



## Materials Specifications

Ref	Description	Materials
1	Body	Mazak 3/LM6 Aluminium
2	Element Core	Stainless Steel
3	Element Core Retaining Ring	Aluminium
4	Weatherhood	Aluminium
5	Hood Support Clip	Spring Steel

## Model Specifications

DN (mm)	Dimensions				Weight (kg)	Ø Element (mm)
	A (male)	A (female)*	ØB (mm)	C (mm)		
15	½" BSP	½" BSPT/NPT	41	58	0.15	25
20	¾" BSP	¾" BSPT/NPT	70	67	0.3	44
25	1" BSP	1" BSPT/NPT	70	67	0.3	44
50	2" BSP	2" BSPT/NPT	112	77	0.5	79

\*with BSPT/NPT female connections, dimensions are approximate

## SV Flow Curves

Further information is available on request from the Elmac Customer Support team.

## Customer Support

Tel: +44 (0) 1352 717 555

Email: sales@elmactech.com

Address: Coast Road, Greenfield, Flintshire, CH8 9DP United Kingdom

All specifications are correct at time of print, are for guidance purposes only and subject to change without prior notice.



Protecting People, Property and our Planet